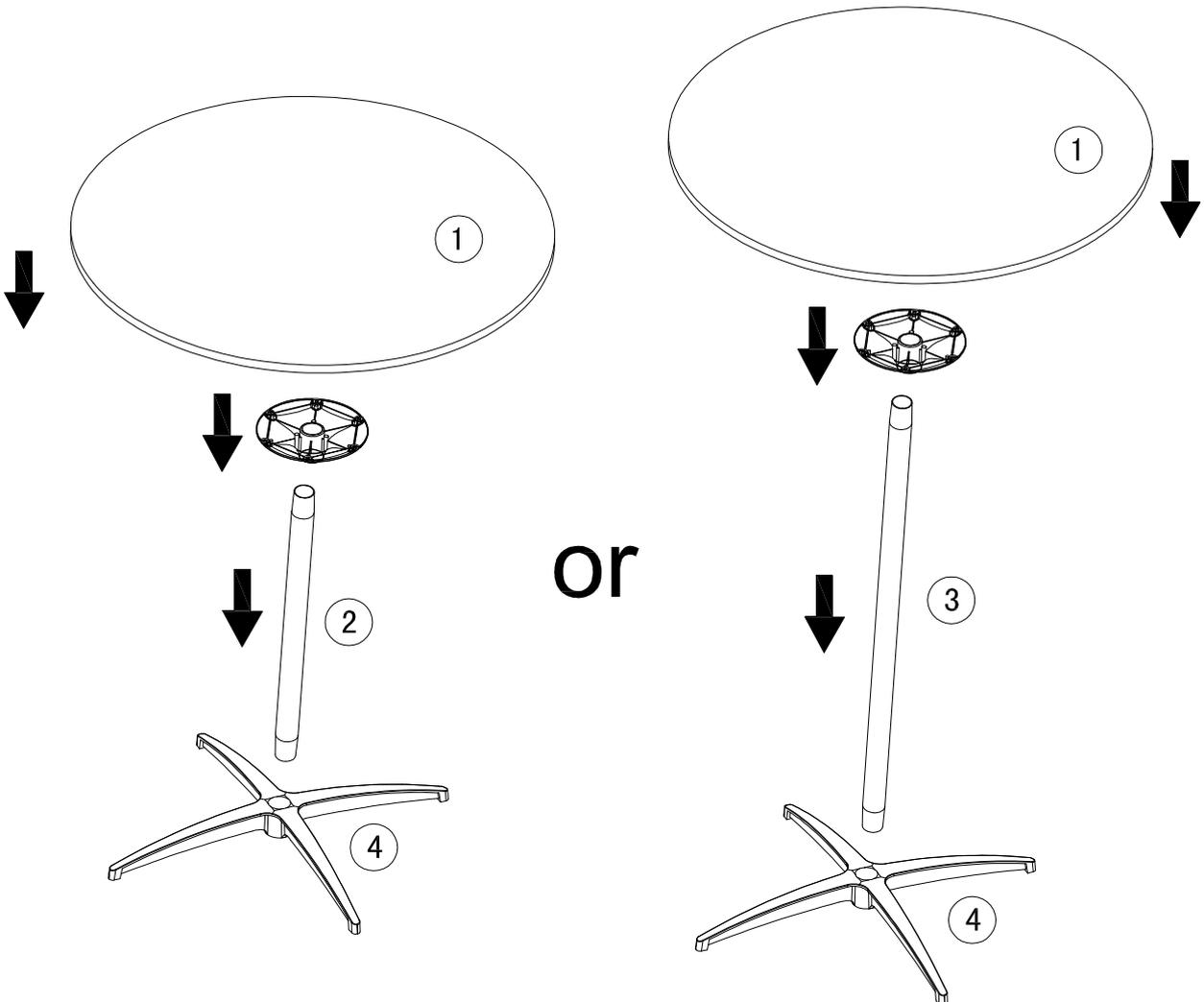
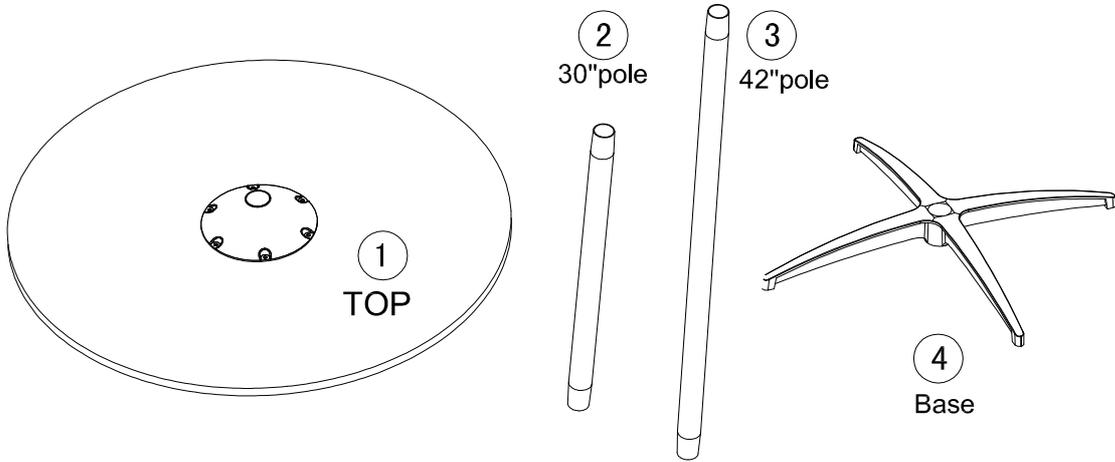


Assembly instruction



or

